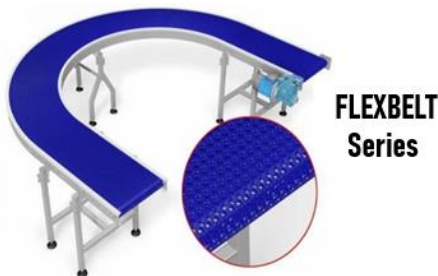


Heavy Duty Conveyors from Belplas



MADE IN
CANADA



SALES PARTS SERVICE
info@belplas.com

HEAVY DUTY CONSTRUCTION - BUILT IN CANADA - COMPETITIVE PRICES

HSC & HFB Belt Conveyors



Belplas conveyors are designed and manufactured in Canada. Built specifically for injection moulding and blow moulding applications every Belplas conveyor is backed by over 50+ years conveyor manufacturing experience. We use the best components and all welded steel construction to ensure years of trouble free operation.

Custom designed to meet each customers exact requirements you can rely on Belplas to provide quality and service at competitive prices.



HEAVY DUTY - BUILT IN CANADA - COMPETITIVE PRICING

Contact us today for a detailed quote:

905-715-6068

info@belplas.com

BELPLAS 'ECOLINE' UNDER THE PRESS CONVEYORS

*Engineered to Perform
Priced to meet your Budget*

**IN
STOCK**



EcoLine
Model CB-6

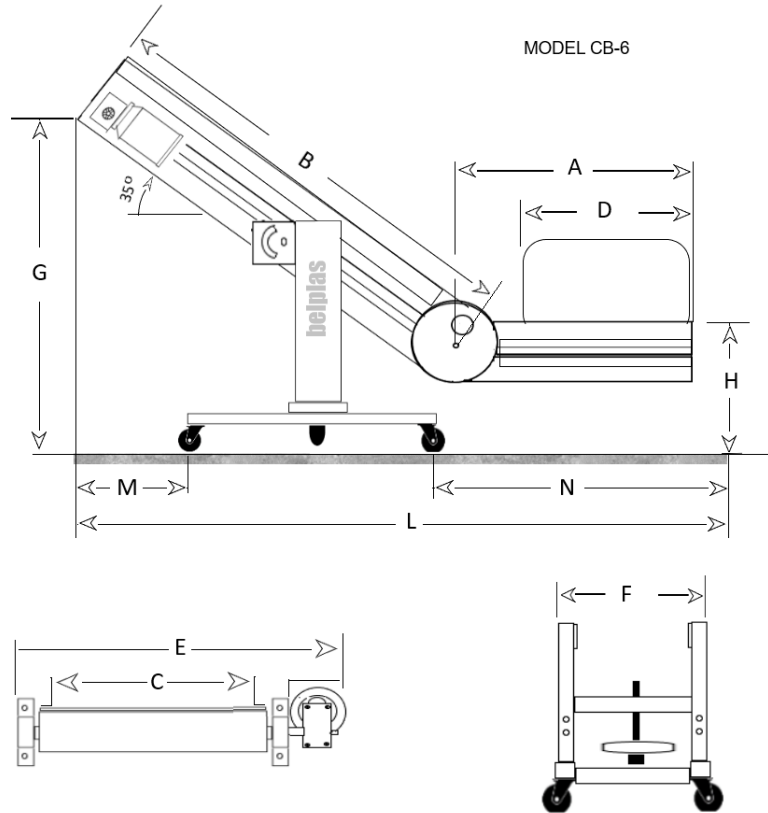
Belplas 'EcoLine' conveyors feature reliable performance and ease of operation. Designed to convey plastic parts from under the press to an operator station the 'patented' adjustable leg configuration allows for adjustment to both the conveyor height and angle to suit your specific application. The CB-6 is not only the most versatile conveyor on the market - it's the most economical as well.

CONTACT US TODAY FOR A DETAILED QUOTE

905-715-6068

info@belplas.com

'ECOLINE' CB-6 Conveyor



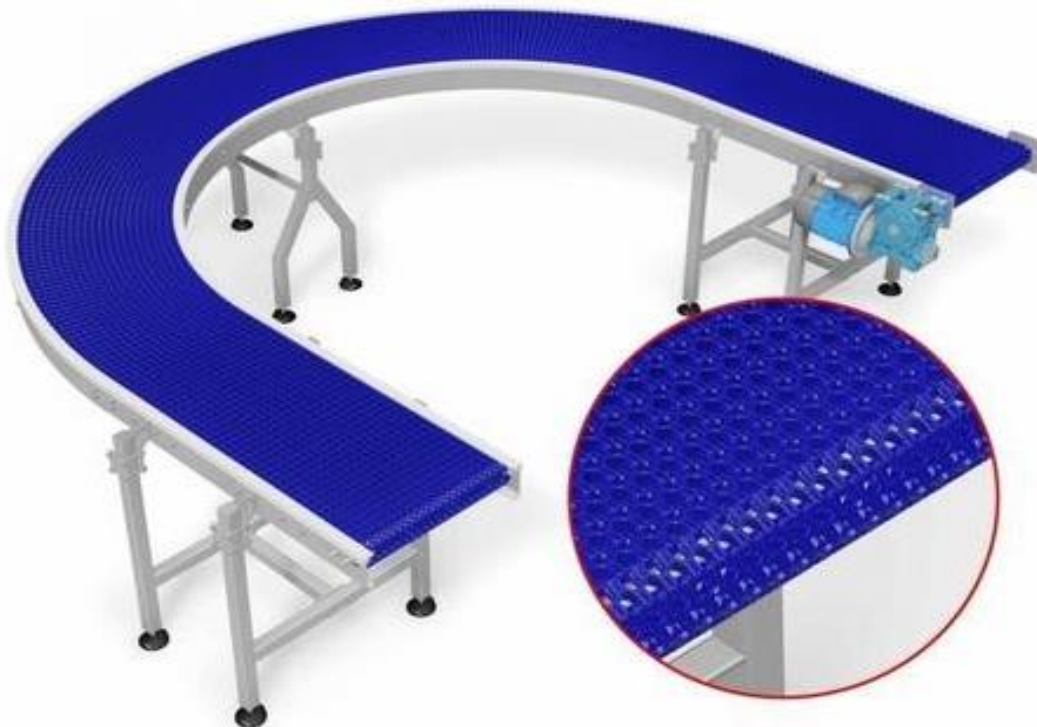
| CB-6 | mm | inches |
|------|-------------|------------|
| A | 690 | 27.2 |
| B | 1800 | 71 |
| C | 450 | 18 |
| D | 559 | 22 |
| E | 740 | 29 |
| F | 683 | 27 |
| G | 1128 - 1273 | 44 - 50 |
| H | 192 - 337 | 7.5 - 13.2 |
| L | 2220 | 87.5 |
| M | 651 | 25.6 |
| N | 909 | 35.75 |

CB-6 ECOLINE FEATURES

- Patented Adjustable Support Stand
- Part Drop Containment Side Shields
- Polyurethane Non-slip Belting
- 1" High Cleats on 20" Centers
- 4" High Side Rails for Part Containment
- Belt Speed of 14 fpm
- Height Adjustable Legs
- Locking Casters (4)
- 1/4 HP Motor
- 120VAC Electrics
- Heavy Duty Gear Motor

FLEX BELT CONVEYORS

As a leading manufacturer of plastic belted modular conveyors, we provide high quality, specialized solutions of virtually every application. Belplas sets the standard for performance and reliability across a wide variety of industries. Built in Canada and designed to provide years of operation. Put our expertise to work for you.



CONTACT US TODAY FOR A DETAILED QUOTE

905-715-6068

info@belplas.com

BELPLAS 'EASYROL' INDUSTRIAL ROLLER CONVEYORS



Engineered to Perform

🇨🇦 Made in Canada



Belplas 'EasyRol' line of roller conveyors feature reliable performance and ease of operation. Designed to provide free flowing movement of containers or boxes our EasyRol conveyors can be designed to meet any application be it straight line, curved or transfer conveying Belplas EasyRol has the conveyor for the job.

CONTACT US TODAY FOR A DETAILED QUOTE

905-715-6068

info@belplas.com