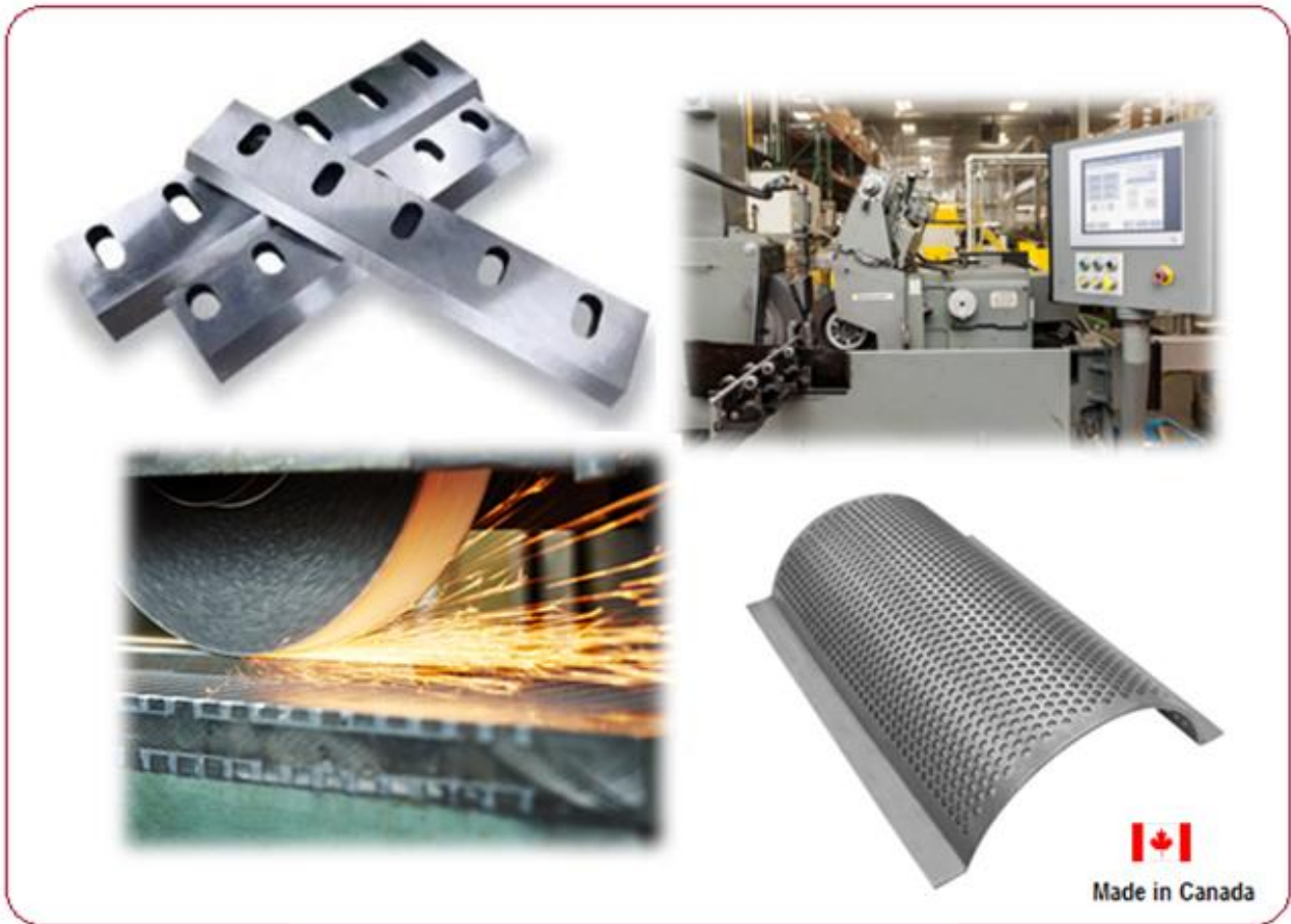




## NEW GRINDER BLADES

Belplas is your source for new grinder blades and screens. All of our blades and screens are manufactured right here in Canada from the highest quality materials for maximum durability and superior performance.

### PRECISION - QUALITY - PERFORMANCE



Belplas blades & screens are designed to meet or exceed the original manufacturers specifications. Precision machined, ground and sharpened to the highest standards provides exceptional cutting and superior performance. Our extensive library of OEM designs ensures your Belplas blades fit exactly the same as the ones from the factory.

**DON'T FORGET OUR GRINDER BLADE SHARPENING SERVICE..!!**

**Contact us today for more information at [info@belplas.com](mailto:info@belplas.com)**



HEAD OFFICE  
49 High St. Suite 300  
Barrie, ON L4N 5J4  
905-715-6068

TORONTO  
9131 Keele St. A4  
Concord, ON L4K 0G7  
905-715-6068

MONTREAL  
6045 boul Thimens  
Montreal, QC  
905-715-6068

CLEVELAND  
2000 Auburn Ave  
Beachwood, OH 44122  
905-715-6068

DETROIT  
400 Renaissance Ctr.  
Detroit, MI 48243  
905-715-6068

**CUSTOMER NAME:** \_\_\_\_\_ **PHONE:** \_\_\_\_\_

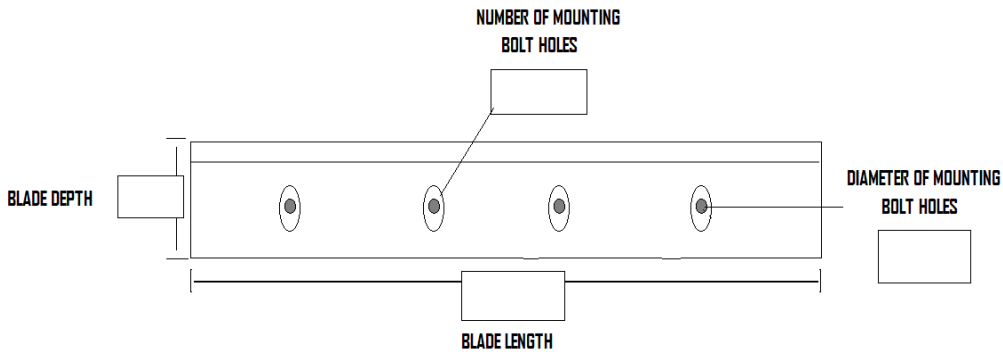
**CONTACT:** \_\_\_\_\_ **EMAIL:** \_\_\_\_\_

**Make of Grinder:** \_\_\_\_\_ **Model No:** \_\_\_\_\_

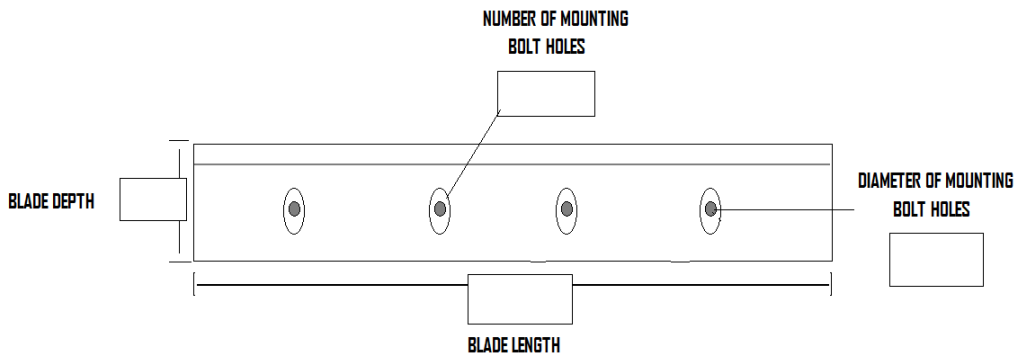
**Serial No:** \_\_\_\_\_ **Horsepower:** \_\_\_\_\_

**How Many Rotor Blades:** \_\_\_\_\_ **How Many Bed Blades:** \_\_\_\_\_

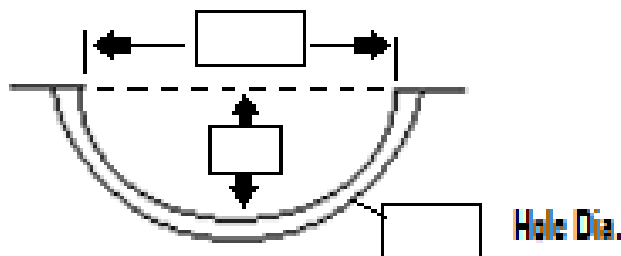
**Rotor Blade Dimension:** Do you have a sample rotor blade available YES  NO



**Bed Blade Dimensions:** Do you have a sample bed blade available YES  NO



**Screen Dimensions:** Do you have a sample screen available YES  NO



**RETURN THIS COMPLETED FORM TO: KALEIGH SHADDOCK [kaleigh@belplas.com](mailto:kaleigh@belplas.com)**